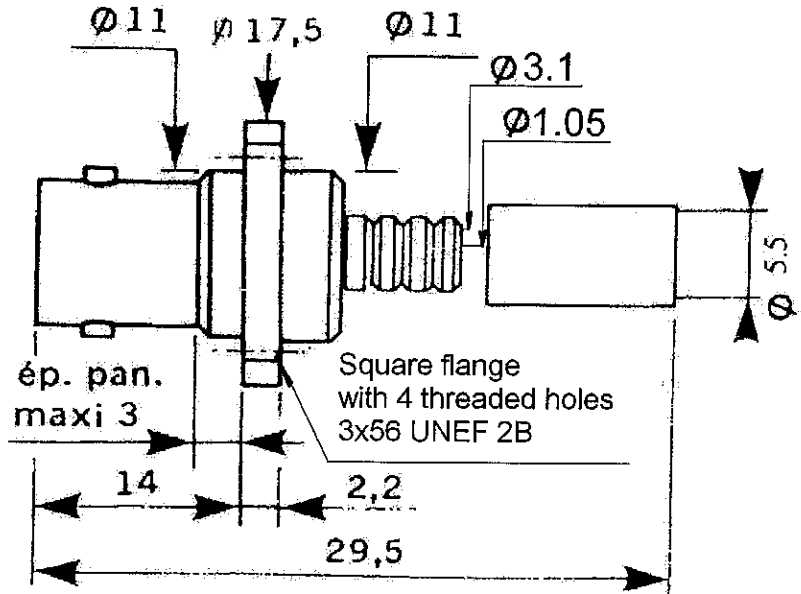


**STRAIGHT JACK SQUARE FLANGE**

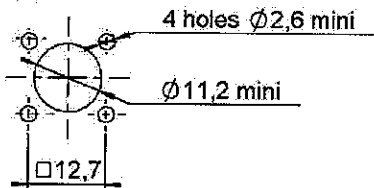
**CRIMP TYPE - CABLE 5/50 D**

**R141.293.000**

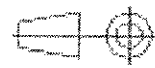
Series : BNC



Perçage panneau



All dimensions are in mm.



COMPONENTS	MATERIALS	PLATINGS ( $\mu\text{m}$ )
BODY	BRASS	NICKEL 2
CENTER CONTACT	BERYLLIUM COPPER	GOLD 0.5 OVER NICKEL 2
OUTER CONTACT	-	GOLD 0.5 OVER NICKEL 2
INSULATOR	PTFE	-
GASKET	-	-
OTHERS PARTS	BRASS	NICKEL 2
-	-	-
-	-	-

Issue : 0747D

In the effort to improve our products, we reserve the right to make changes judged to be necessary.



**STRAIGHT JACK SQUARE FLANGE**

**R141.293.000**

**CRIMP TYPE - CABLE 5/50 D**

Series : BNC

**PACKAGING**

Standard	Unit	Other
I	-	Contact us

**SPECIFICATION**

**ELECTRICAL CHARACTERISTICS**

Impedance	50	Ω
Frequency	0-4	GHz
VSWR	1.3 + 0,0000	x F(GHz) Maxi
Insertion loss	-	√F(GHz) dB Maxi
RF leakage	-(	- F(GHz)) dB Maxi
Voltage rating	-	Veff Maxi
Dielectric withstanding voltage	1500	Veff mini
Insulation resistance	5000	MΩ mini

**CABLE ASSEMBLY**

Stripping	a	b	c	d	e	f
mm	4,00	8,50	15,0	0,00	11,0	0,00

Assembly instruction : **Crimp 02**

Recommended cable(s)  
 KX 23  
 RG 142 FTX  
 RG 400  
 RG 142  
 RG 223

Characteristics indicated on this data sheet are those that can be achieved with the highest performance cable. Intrinsic limitations of the cable may diminish the performance of the assembly

Cable retention

- pull off **91 N mini**  
 - torque **NA N.cm**

**MECHANICAL CHARACTERISTICS**

Center contact retention	
Axial force – Mating end	27 N mini
Axial force – Opposite end	27 N mini
Torque	NA N.cm mini

**TOOLING**

Part Number	Description	Hexagon
R282.223.000	CRIMPING TOOL	1.73-5.41
R282.293.000	CRIMPING TOOL	-
R282.235.011	CRIMPING DIES	1.73-5.41

Recommended torque	
Mating	NA N.cm
Panel nut	NA N.cm
Clamp nut	NA N.cm
A/F clamp nut	0,0000 mm

Mating life	500 Cycles mini
Weight	12,0000 g

**OTHERS CHARACTERISTICS**

**ENVIRONMENTAL**

Operating temperature	-65/+165 °C
Hermetic seal	- Atm.cm3/s
Panel leakage	-

Issue : **0747D**

In the effort to improve our products, we reserve the right to make changes judged to be necessary.

